

# BC230 BRUSH CHIPPER



**CONVENIENT TURN-TABLE.** Allows the chipper infeed to be rotated into seven positions to face the material for ease of feeding and convenience when working along the roadside. An optional height-adjustable surge brake is available for the BC230.



**ECOIDLE™ ENGINE CONTROL SYSTEM.** When the EcoIdle system is selected by the operator, the engine speed automatically lowers to a preset rpm after one minute or five minutes of inactivity to help reduce fuel consumption when not chipping material. This idling can help reduce emissions and noise.



**SMARTFEED.** The SmartFeed system monitors engine rpm and automatically stops and reverses the feed rollers to maximize production. This system also senses feed roller jams and manipulates the material automatically to reduce the need for manual control bar use.



**TWIN HORIZONTAL FEED ROLLERS.** A 23 x 35.5 cm infeed opening fed by oversized horizontal offset feed rollers helps allow material at maximum capacity to be efficiently fed to the chipper.



**THE VERMEER 3-YEAR WARRANTY RIDER.** The BC230 comes with a 3-year warranty rider with an option to extend up to 5 years/5,000 hours. It's the smart way to protect your investment.



**POWERFUL PERFORMANCE.** The 74 hp (55 kW) Stage V compliant Caterpillar diesel engine allows you not only to comply with emissions requirements but also gives you enough horsepower to meet your jobsite needs.

# BC230 BRUSH CHIPPER

## GENERAL WEIGHTS AND DIMENSIONS

Weight: 2.150 kg (4.740 lb)

Length (transport): 384 cm (151 in)

Width: 190 cm (74 in)

Height: 262 cm (103 in)

Infeed opening width: 35.5 cm (14 in)

Infeed opening height: 23 cm (9.1 in)

## ENGINE

Make and model: Cat 2.2 stage V Diesel

Gross horsepower: 55 kW (74 hp)

Max. torque: 270 Nm (200 ft-lb)

Number of cylinders: 4

Sound power: 126 dB(A)

## FLUID CAPACITIES

Fuel tank: 52 L (13 gal)

Hydraulic tank: 26 L (6,8 gal)

## DISCHARGE SYSTEM

Chute height: 250 cm (98 in)

Chute rotation: 270 degrees

## CHASSIS

Axle/suspension: Knott 3.000 kg (5.511,6 lb), rubber torsion, single axle

Surge brake: Type Knott KRV30-B

Wheel assembly: 225R15C

## CUTTER DISC

Weight: 153 kg (337 lb)

Diameter: 76 cm (30 in)

Speed: 1.365 rpm

Knives: 2 A8 chipper steel

## FEED SYSTEM

Number of feed rollers: 2

Top/bottom feed roller diameter: 40 cm (16 in)/26 cm (10 in)

Orientation: Offset horizontal

Clamping force: 494 kg (1.086 lb)

## INFEED TABLE

Width: 125 cm (49 in)

Distance from center feed roller to end table: 160 cm (63 in)

Distance from table to ground: 77 cm (30 in)

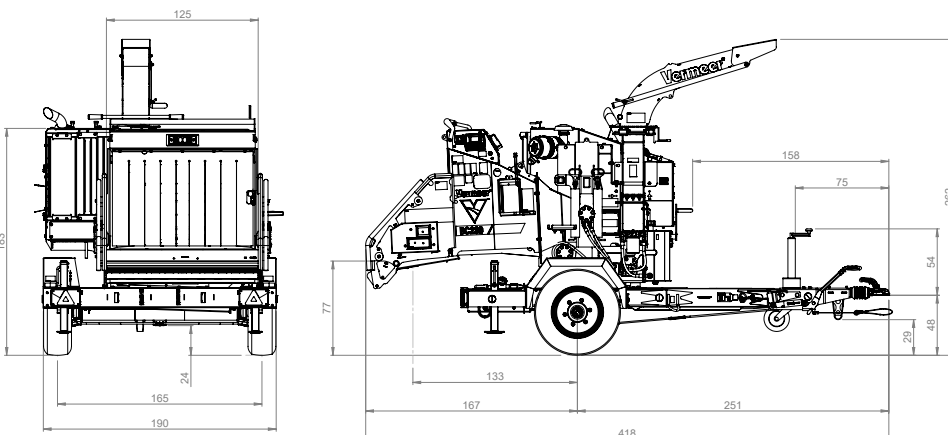
## OPTIONS

Special paint

Vermeer Confidence Plus® asset protection program

Height-adjustable surge brake

Spare tire mount



Vermeer Manufacturing International Goes reserves the right to make changes in engineering, design and specifications; add improvements; or discontinue manufacturing at any time without notice or obligation. Equipment and depictions shown are for illustrative purposes only and may display optional accessories or components specific to their global region. Please contact your local Vermeer dealer for more information on machine specifications. Vermeer, the Vermeer logo, Equipped to Do More, Ecolide and Vermeer Confidence Plus are trademarks of Vermeer Manufacturing Company in the U.S. and/or other countries. Caterpillar is a trademark of Caterpillar Inc. Knott is a trademark of Knott Brake Company. © 2022 Vermeer Manufacturing International Goes. All Rights Reserved.

