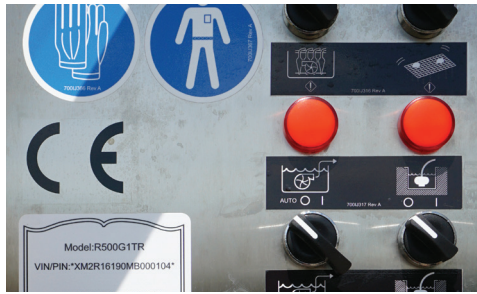


# R500 RECLAIMER



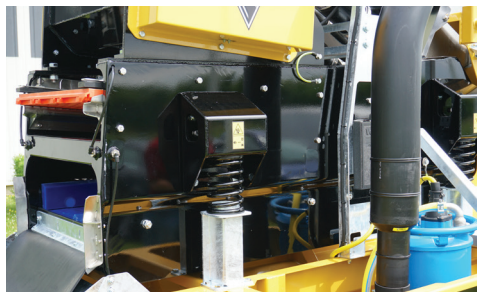
**AUTOMATED OPERATION.** There's no need to manually control valves. The level switches in the reclaimer tank and the remote level switch in the mixing tank, help prevent overflow throughout the fluid system setup and help reduce labor.



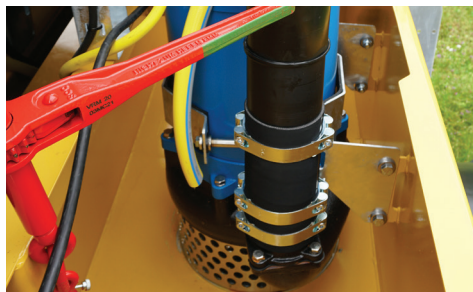
**QUICK-CHANGE SCREENS.** The primary screens are kept in place with an air-clamping system, powered by an onboard air compressor. This allows for ease of access and the ability to quickly change the screens.



**CLEANING EFFICIENCY.** Premium cleaning performance is achieved through six 4-in long-body hydrocyclones in combination with a relatively large screen area.



**CONTINUOUS PERFORMANCE.** The heavyweight shaker deck delivers stable performance under variable processing volume. A high capacity 15 hp (11 kW) pump is used for optimum circulation.



**DURABILITY AND WEAR RESISTANCE.** The use of high-quality, wear-resistant components maximizes the durability and life of the reclaimer.



**AVAILABLE AS SKID OR TRAILER.** The R500 reclaimer is available as skid or trailer. The skid is prepared for forklift use, and the trailer comes equipped with a height-adjustable surge brake to adapt to a variety of towing vehicles.

# R500 RECLAIMER

Available only through select Vermeer dealers.

## GENERAL WEIGHTS AND DIMENSIONS - SKID

**Weight:** 2050 kg (4500 lb)

**Length:** 260 cm (102 in)

**Width:** 216 cm (85 in)

**Height:** 252 cm (99 in)

## GENERAL WEIGHTS AND DIMENSIONS - TRAILER

**Weight:** 2.500 kg (5.500 lb)

**Length:** 488 cm (192 in)

**Width:** 251 cm (99 in)

**Height:** 278 cm (109 in)

## FLUID CAPACITIES

**Maximum capacities:** 2,3 m<sup>3</sup> (600 gallon)

## CLEANING SYSTEM

**Rated processing capacity:** 500 L/min - 750 L/min  
(130 gpm - 200 gpm)

**Rated solid separation capacity:** up to 15 t/h (up to 33.000 lb/h)

**Shaker:** 1 double-deck linear shaker

**Scalper deck:** 1,08 m<sup>2</sup> (11.6 ft<sup>2</sup>), polyurethane screens

**Primary deck:** 1,1 m<sup>2</sup> (11.8 ft<sup>2</sup>), mesh wire screens

**Desilter:** 6 long-body 4-in Krebs hydrocyclones

## PUMPS

**Circulation pump:** 11 kW (15 hp) low rpm Tsurumi with soft start

**Transfer pump:** 3,7 kW (5 hp) Tsurumi

## POWER

**Power connection:** 64 A CE machine connection

**Recommended genset:** 40 kVA, 400 V, 50 Hz

## FEATURES

**Grounding lug:** Standard

**Phase sequence under- and over-voltage protection:** Standard

**Motor protection switches:** Standard

**4-in cardan style connections:** Standard

**Four heavy-duty pulldown jacks for stabilization:** Standard

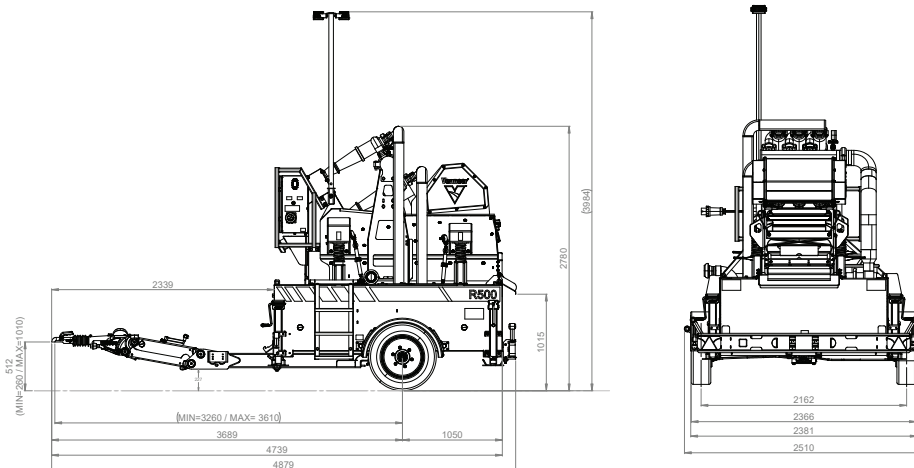
**Connection for pit pump:** Standard

**Stainless steel electrical cabinet:** Standard

**24 V connection, with optional LED worklight:** Standard

**3,7 kW submersible pump**

**Cable and hoses package:** Optional



\* measurements are in mm and may vary +/- 5%

## NOTES:

Vermeer Manufacturing International Goes reserves the right to make changes in engineering, design and specifications; add improvements; or discontinue manufacturing at any time without notice or obligation. Equipment and depictions shown are for illustrative purposes only and may display optional accessories or components specific to their global region. Please contact your local Vermeer dealer for more information on machine specifications. Vermeer, the Vermeer logo and Equipped to Do More are trademarks of Vermeer Manufacturing Company in the U.S. and/or other countries. Krebs is a trademark of FLSmidth AS Corporation. Tsurumi is a trademark of Tsurumi America, Inc. © 2021 Vermeer Manufacturing International Goes. All Rights Reserved.